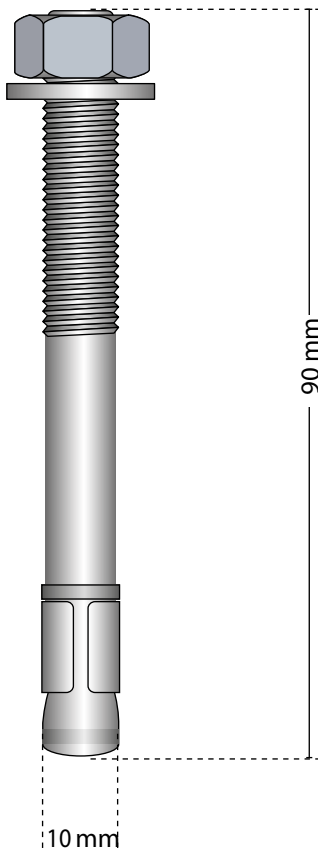


Axelent X-Rail® Anchor Bolt

» Assembly instruction



Anchor Bolt Article no. 10-9713

Dimension M10 x 90 mm, steel, zincplated, ETA-17/0813 dtd. 14.09.2017

Anchor approved for use in non-cracked concrete

For indoor use only.

Two ways of assembling possible:

“Pre-plug-” and “Through-mounting”

Minimum concrete quality: min. C20/25 to max. C50/60 (to EN 206).

Note! The anchor must be installed by appropriately qualified personnel.

Clean the hole of drilling dust before assembly the anchor. Do not exchange any components. Use only the original washer and nut. Use a calibrated torque wrench for tightening. For further details, design data, and performance values refer to the original ETA-17/0813.



Assembly				
Dimension	Length	Drill	Eff. embedment depth, min.	Installation torque
M10	90 mm	Ø10 mm	51 mm	25 Nm
Min. embedment depth - A	Max. assembling thickness - B	Min. drilling depth - C	Min. concrete thickness - D	Min. edge distance/spacing
60 mm	15 mm	70 mm	105 mm	77 mm

