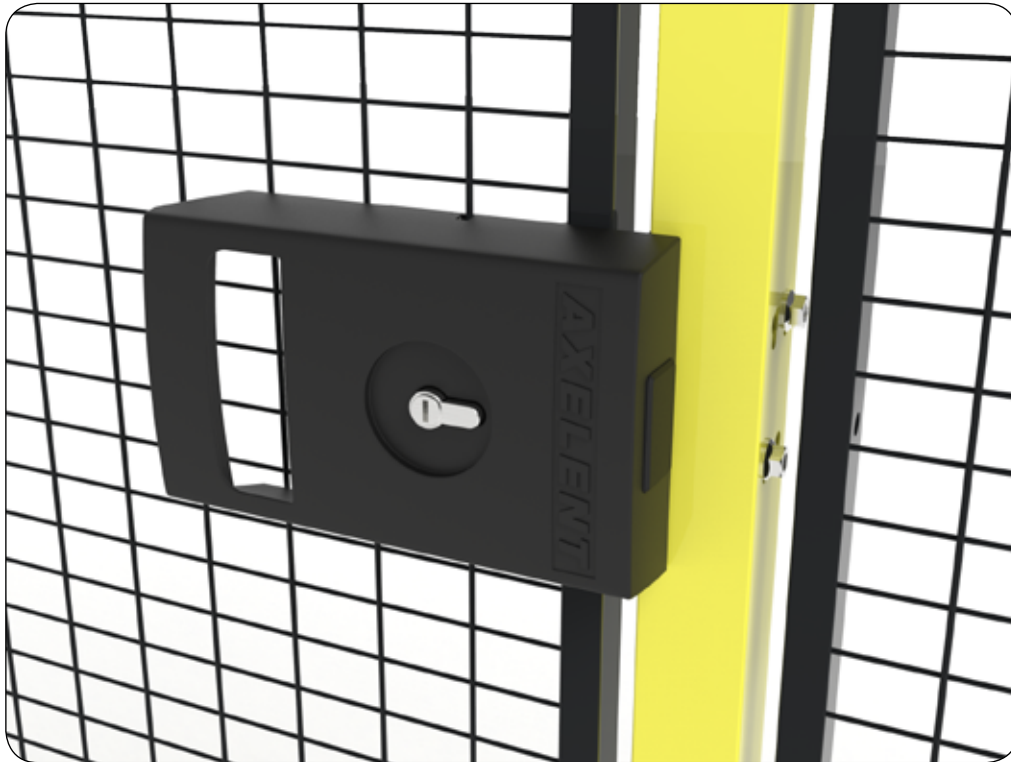


Axelent Product information

» Axelent X-It



Axelent X-It

Axelent X-It is a keyed cylinder lock designed primarily for all our modular mesh panel systems for machine guarding, industrial/warehouse. Thanks to the unique construction and its simple assembly, the lock can also be used for similar third party products/systems available on the market.

The lock is a unique design that requires no additional lock housing, just add a standard cylinder such as Euro. The lock is robust with a cover in metal to withstand tough conditions, and is tested and approved according to SS-EN 12209:2016. X-It fits for both hinge or sliding doors.

The lock can also be combined with a mechanical panic / emergency unit. The product is patent pending.

X-It

- Robust construction
- Unique locking function
- Convenient
- Flexible, fits for both hinge or sliding door
- Ordered in right or left execution
- Simple assembly
- Tested and approved according to SS-EN 12209:2016
- Extended functions possible
- Certified product
- Supplied in a specially designed box
- The lock is patent pending
- Possibility to block closure with padlock for service and maintenance (Lockout/Tagout)

Axellent Product information

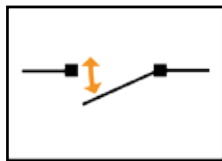
» Axellent X-It

Technical data X-Guard

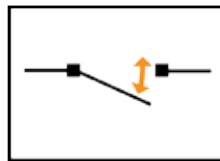
Art.no.	Description
XIT-L01-101	Cylinderlock X-It, left mech, hinge door, X-Guard
XIT-L01-301	Cylinderlock X-It, left mech, single sliding door, X-Guard
XIT-L01-401	Cylinderlock X-It, left mech, sliding door with centrelock, X-Guard
XIT-R01-101	Cylinderlock X-It, right mech, single hinge door, X-Guard
XIT-R01-301	Cylinderlock X-It, right mech, single sliding door, X-Guard
XIT-R01-401	Cylinderlock X-It, right mech, sliding door with centrelock, X-Guard
XIT-L02-101	Cylinderlock X-It, left mech+panic, single hinge door, X-Guard
XIT-R02-101	Cylinderlock X-It, right mech+panic, single hinge door, X-Guard

Technical data X-Store

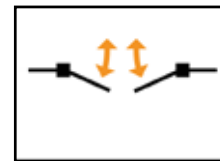
Art.no.	Description
XIT-L01-102	Cylinderlock X-It, left mech, single hinge door, X-Store
XIT-L01-202	Cylinderlock X-It, left mech, double hinge door, X-Store
XIT-L01-302	Cylinderlock X-It, left mech, single sliding door, X-Store
XIT-L01-402	Cylinderlock X-It, left mech, sliding door with centrelock, X-Store
XIT-R01-102	Cylinderlock X-It, right mech, single hinge door, X-Store
XIT-R01-202	Cylinderlock X-It, right mech, double hinge door, X-Store
XIT-R01-302	Cylinderlock X-It, right mech, single sliding door, X-Store
XIT-R01-402	Cylinderlock X-It, right mech, sliding door with centrelock, X-Store



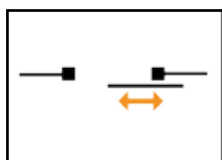
Hinge door, right



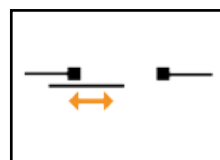
Hinge door, left



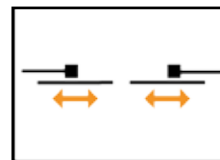
*Double hinge door
left/right*



Sliding door, right



Sliding door, left

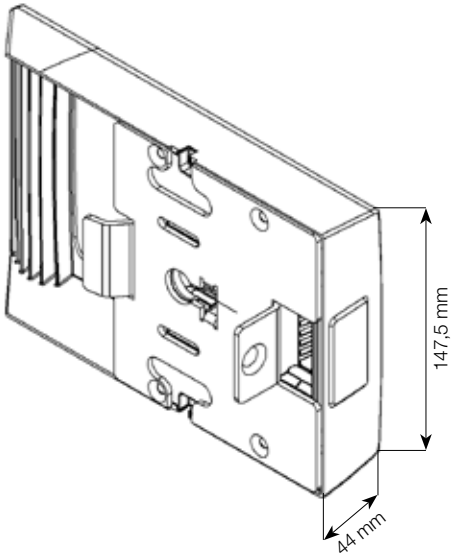
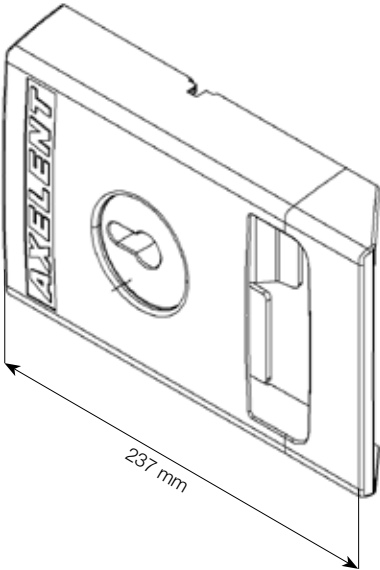


*Sliding door with
centrelock, left/right*

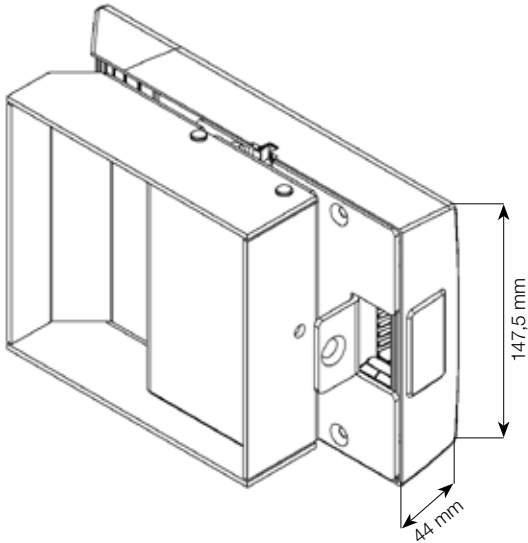
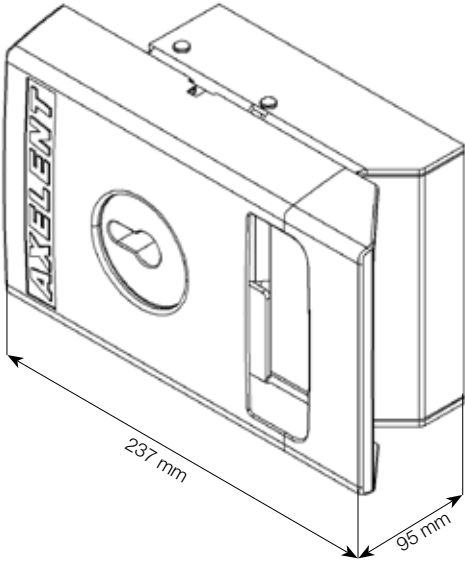
Axelent Product information

» Axelent X-It

Axelent X-It Cylinder



Axelent X-It Cylinder with panicfunction



Axelent X-It Eurocylinder Whole (Both sides) / Half (One side)

